

# 40" AND 50" MOWER FRONT MOUNT KIT

# GRAVELY

To continue its program of quality and design improvement, the manufacturer reserves the right to change specifications, details and accessories without notice and without incurring obligation.

## ILLUSTRATED PARTS LIST

Model Number

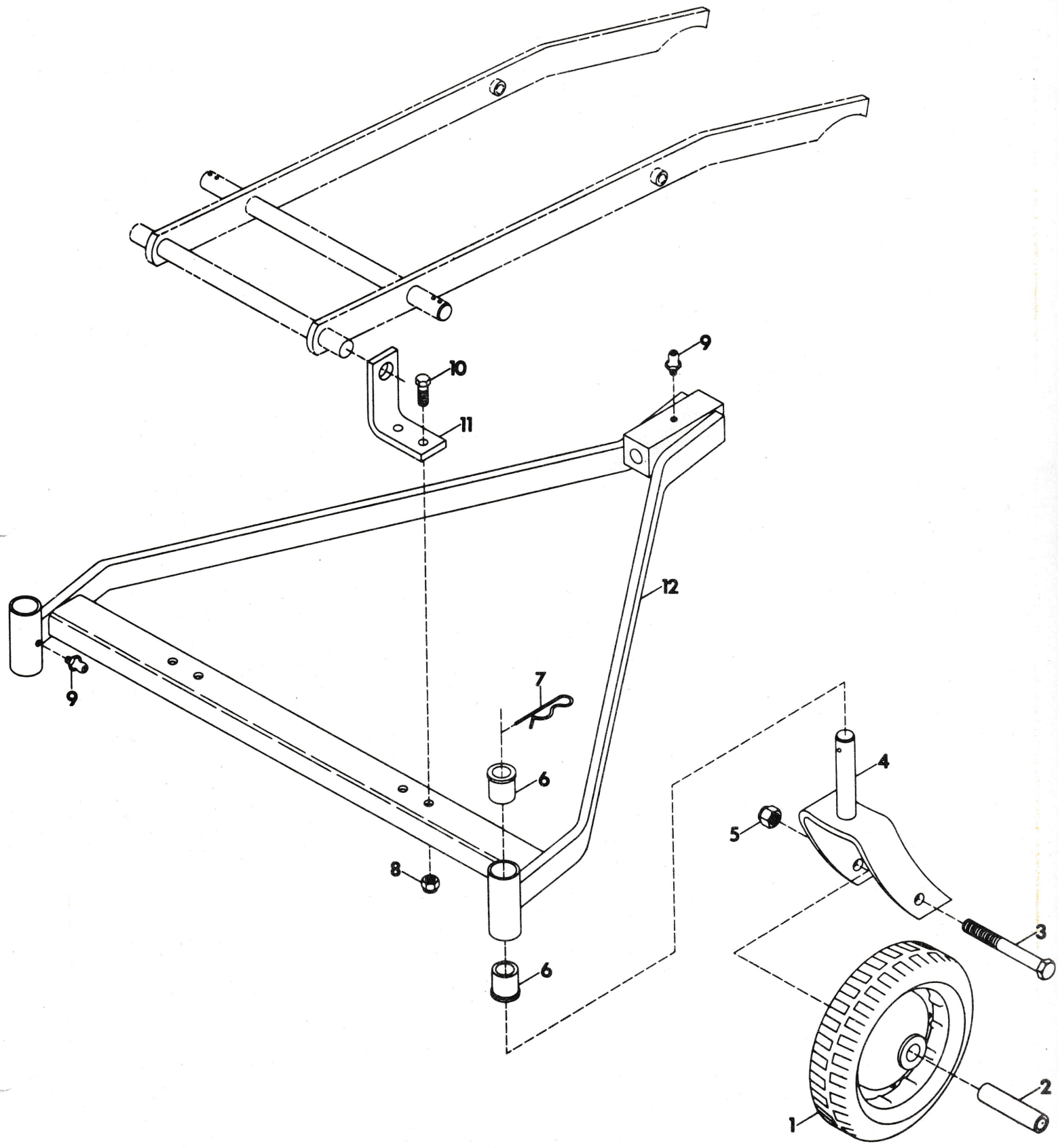
15569E1

Effective Date

5-15-73

Form Number

14378P1



| <u>ITEM<br/>NO.</u> | <u>PART NO.</u> | <u>DESCRIPTION</u>                    |
|---------------------|-----------------|---------------------------------------|
| 1                   | 6535P1          | Gauge Wheel                           |
| 2                   | 11950P1         | Bushing                               |
| 3                   | 433156          | 1/2-13 x 4-1/2 Hex Hd Cad Plated Bolt |
| 4                   | 11948P1         | Caster Fork Weldment                  |
| 5                   | 435507          | 1/2 Locknut                           |
| 6                   | 11947P1         | Bushing                               |
| 7                   | 10405P1         | Hair Pin Cotter                       |
| 8                   | 456004          | 3/8-16 Washer Insert Lock Nut         |
| 9                   | 9411027         | 1/4-28 Lube Fitting                   |
| 10                  | 180122          | 3/8-16 x 1 Hex Hd Bolt                |
| 11                  | 11946P1         | Pivot Arm Support                     |
| 12                  | 11939P1         | Frame Weldment                        |